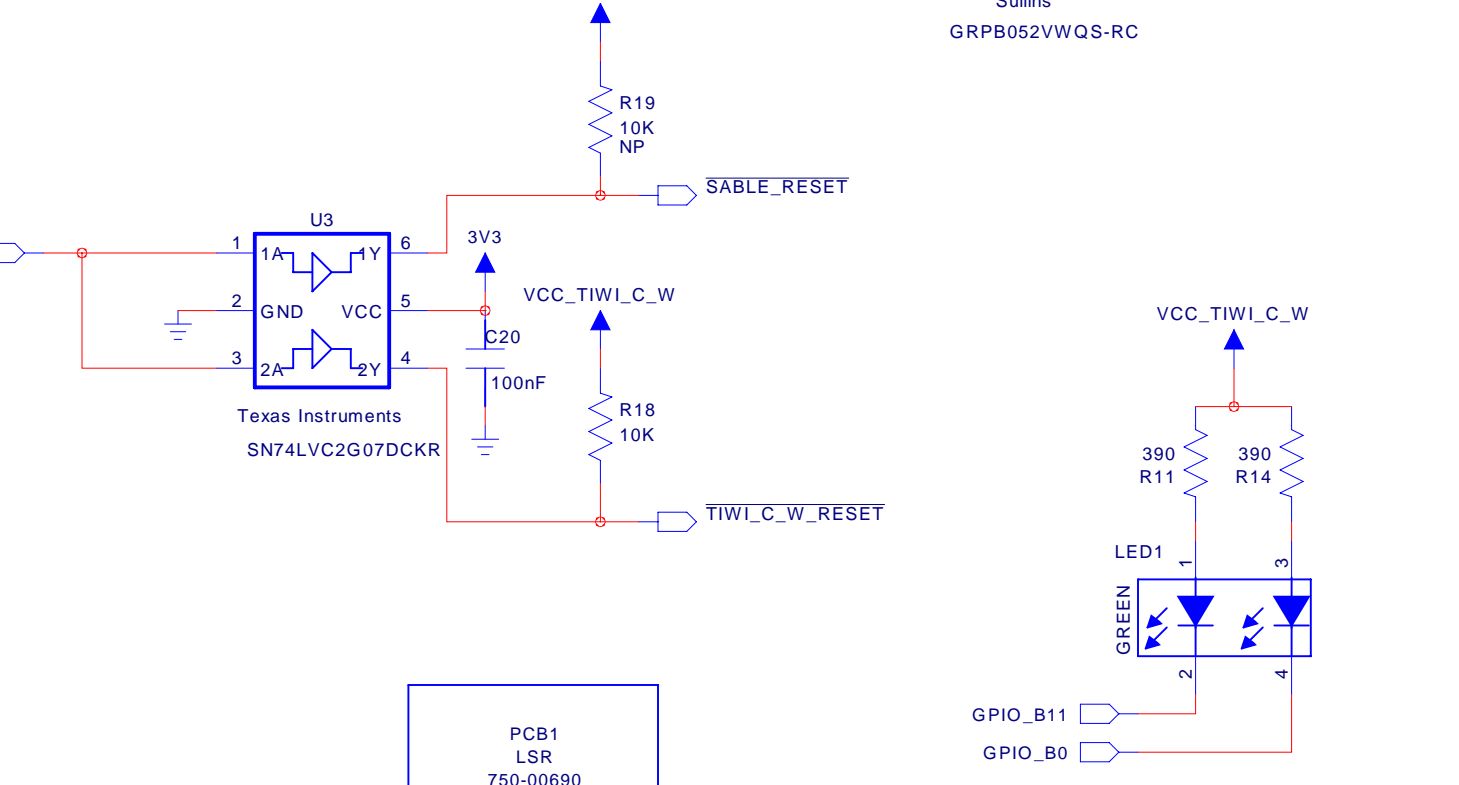
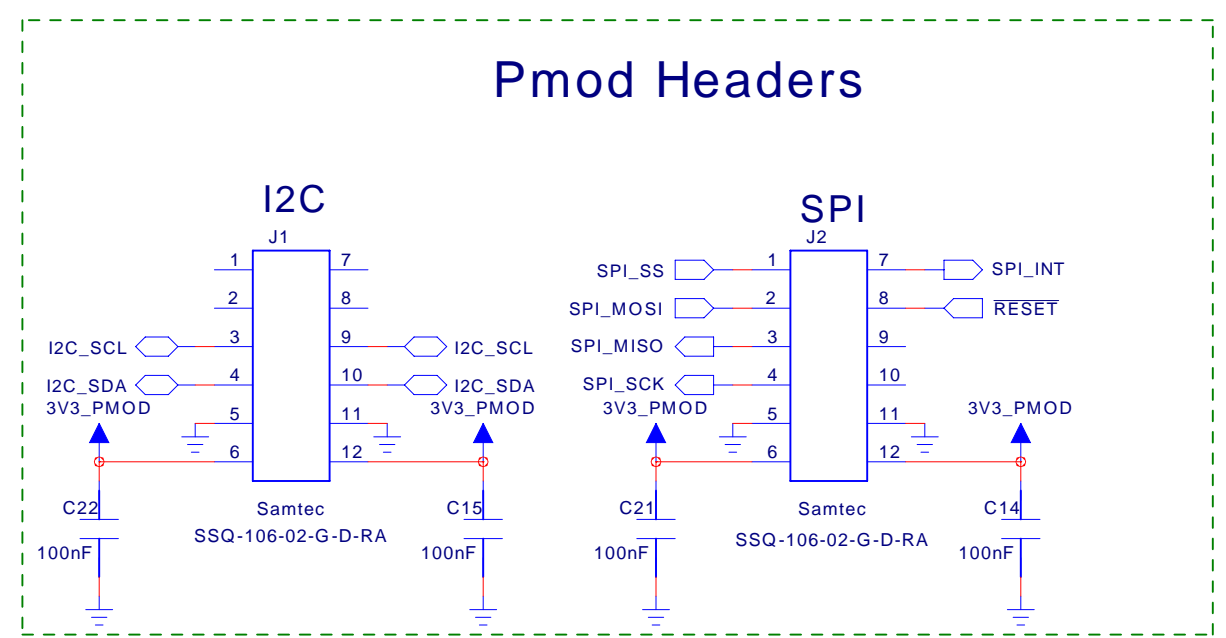
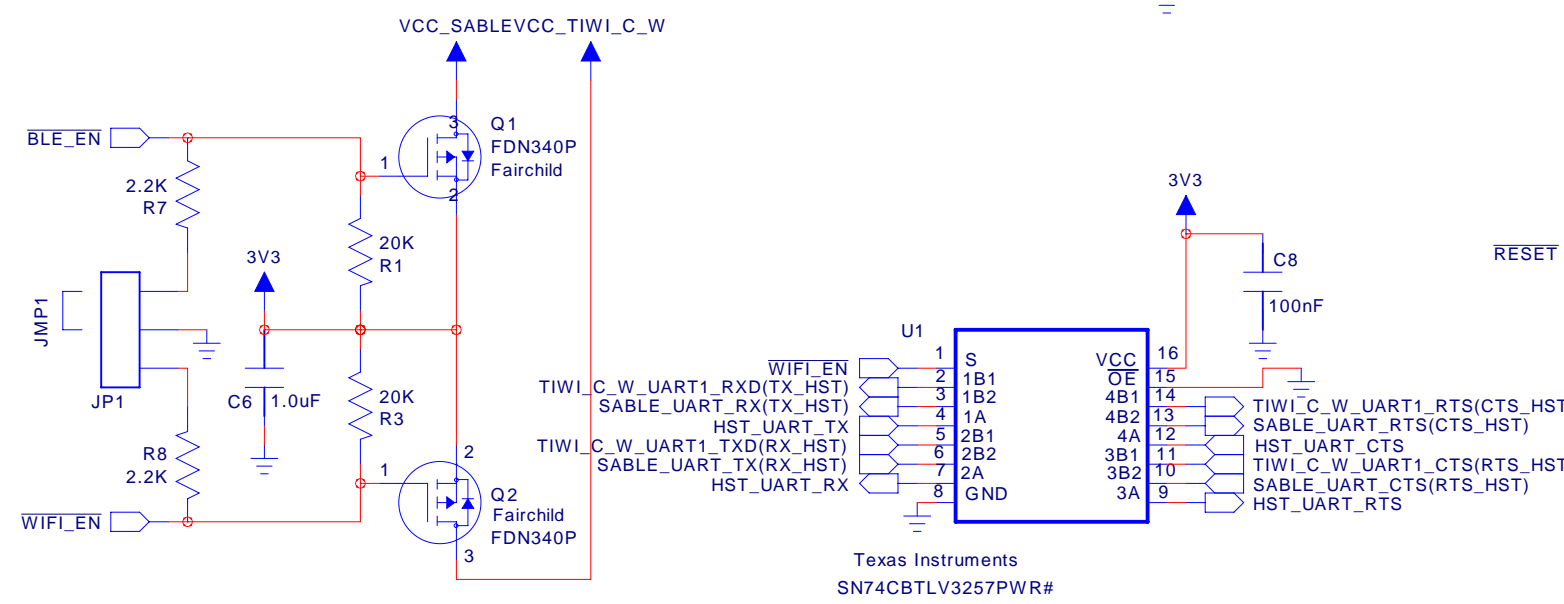
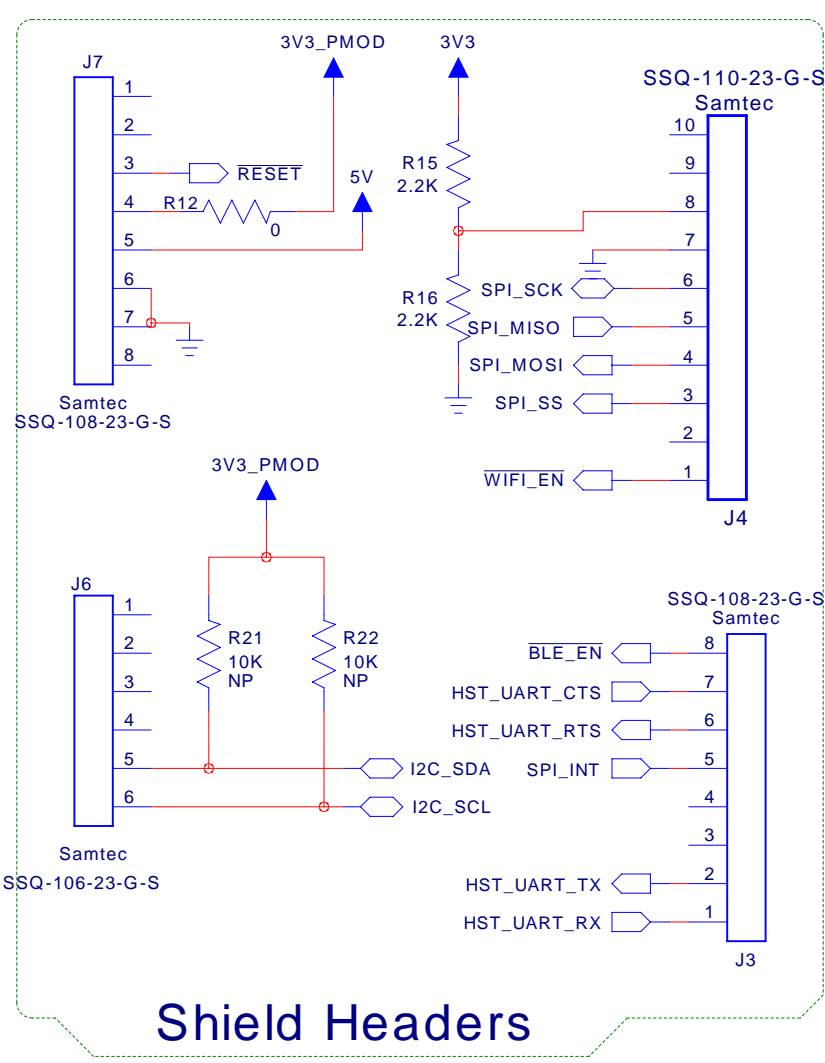
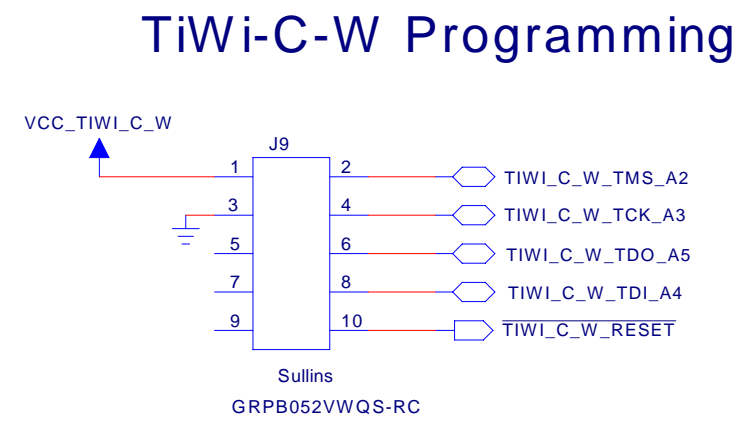
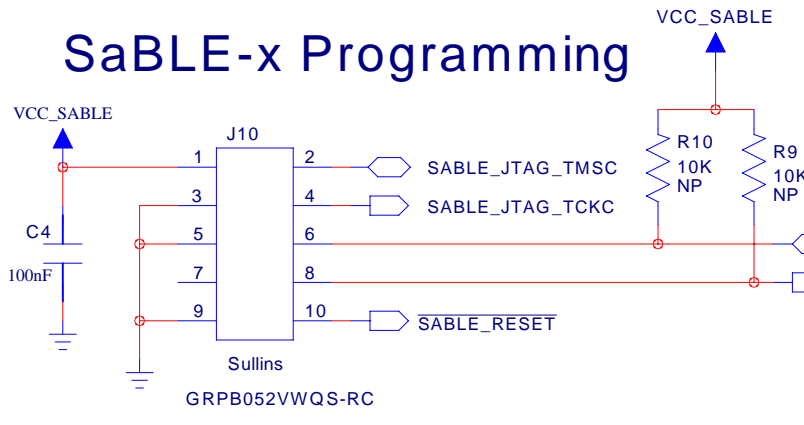
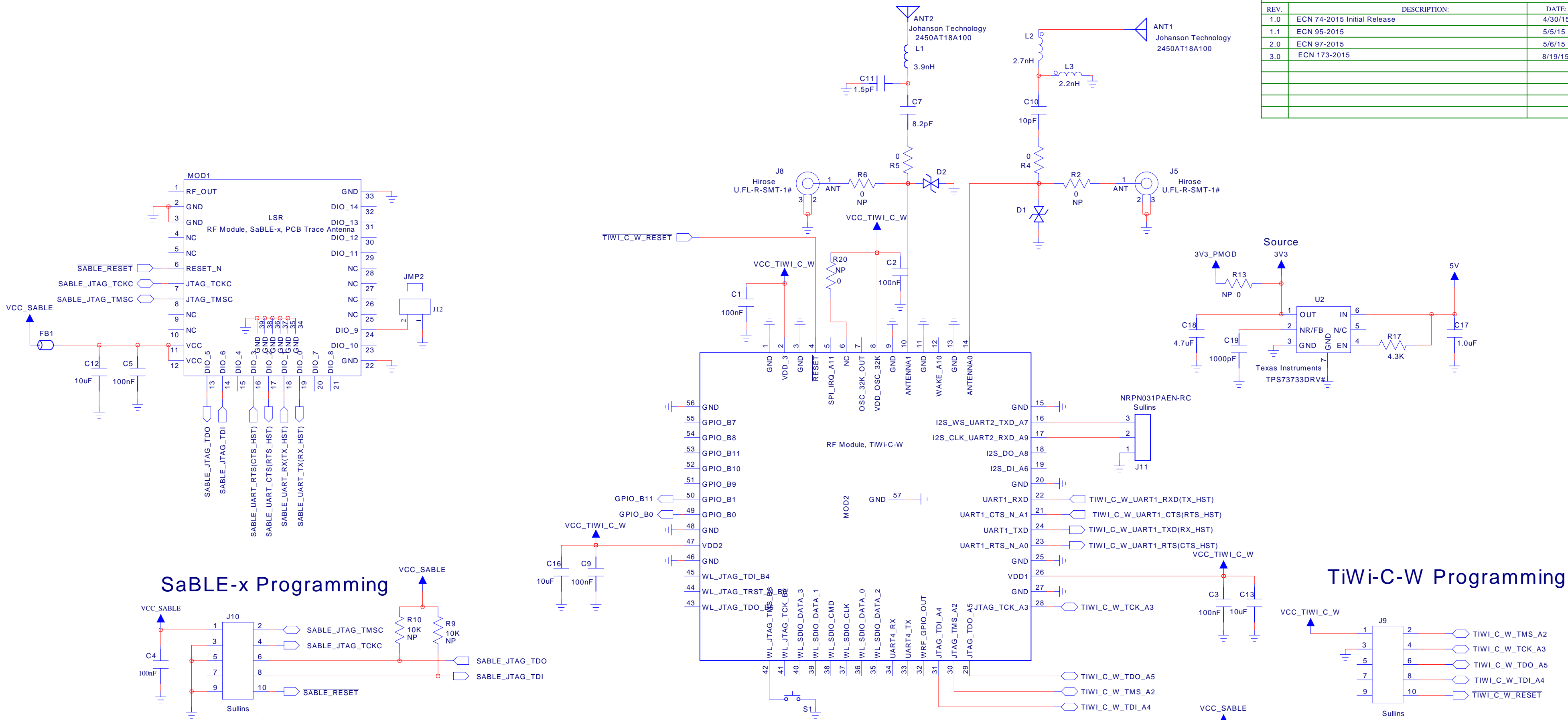


REVISION RECORD		
REV.	DESCRIPTION:	DATE:
1.0	ECN 74-2015 Initial Release	4/30/15
1.1	ECN 95-2015	5/5/15
2.0	ECN 97-2015	5/6/15
3.0	ECN 173-2015	8/19/15



DRAWN BY: PGS	DATE: 4/30/15	TITLE: LSR Wi-Fi & BLE Shield, TIWi-C-W and SaBLE-x Schematic
CHECKED BY: CMH	DATE: 4/30/15	PROJECT: LSR Wi-Fi & BLE Shield, TIWi-C-W and SaBLE-x
APPROVED BY: JMB	DATE: 4/30/15	SIZE: C
DRAWING NO: 332-00690		REV: 3.0
FILENAME: 332-00690-R3.0.sch	SCALE: DO NOT	SHEET: 1 OF 1