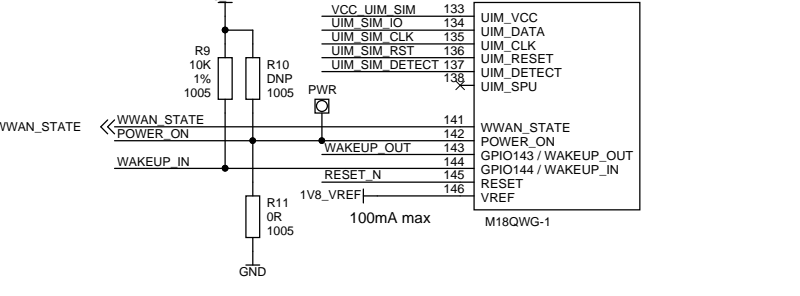
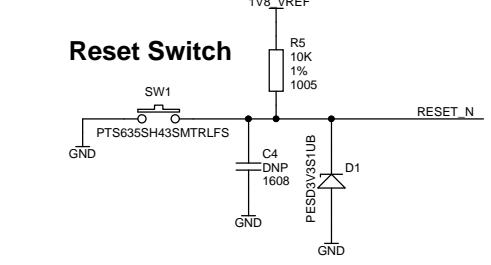
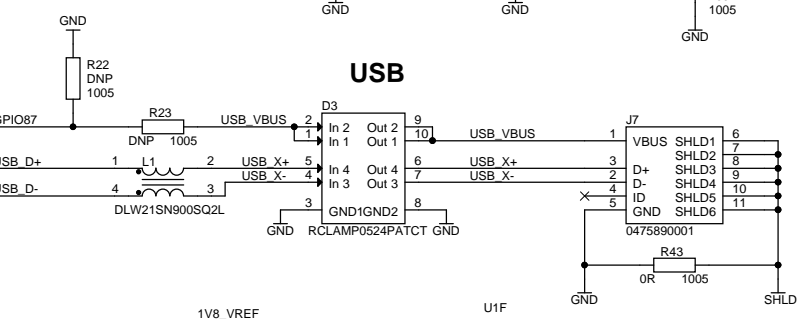
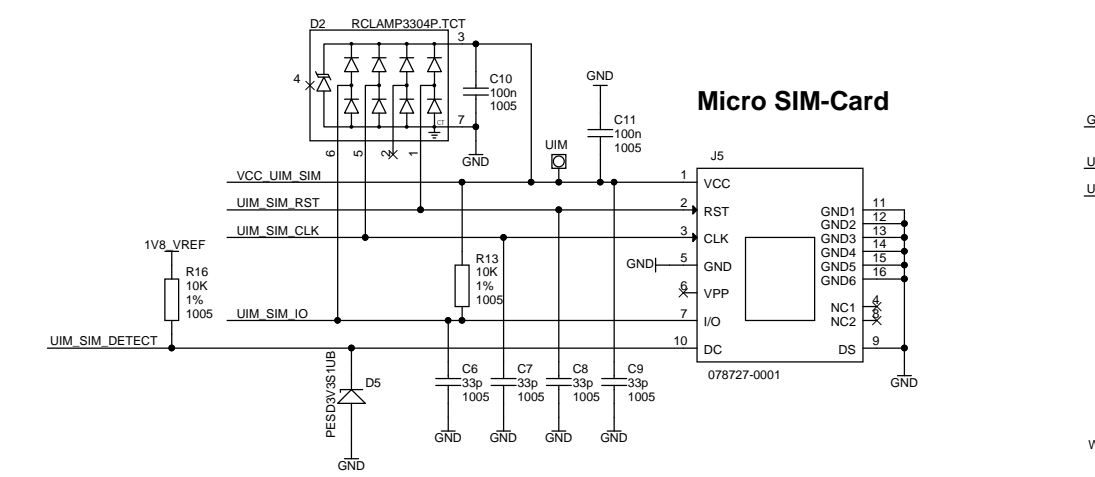
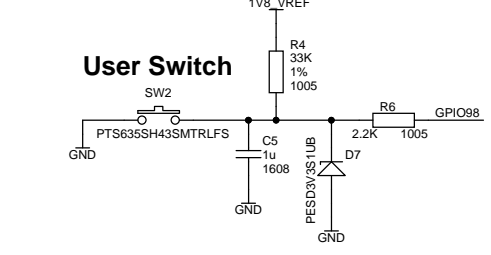
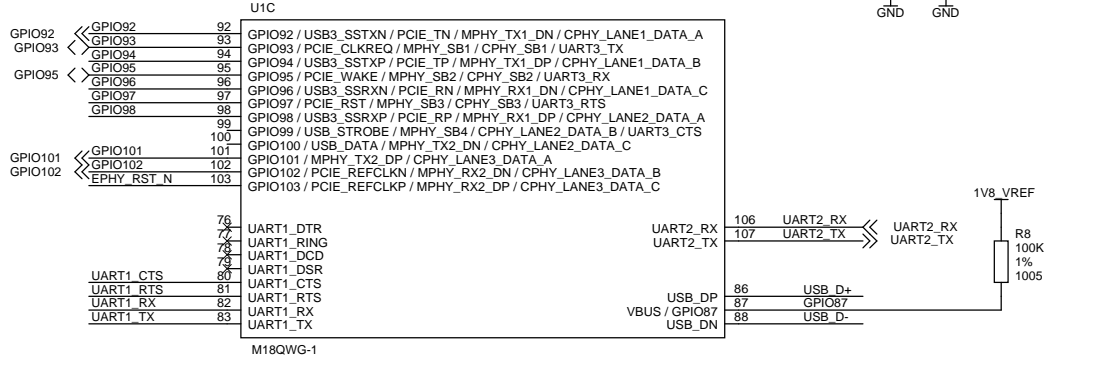
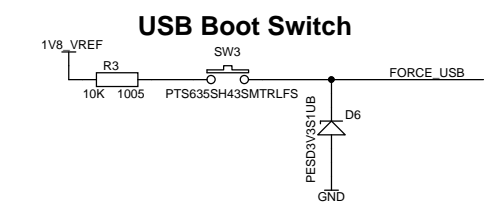
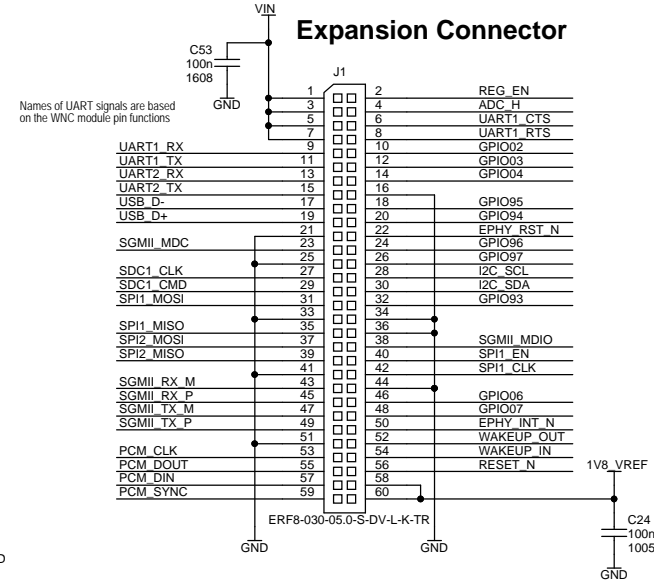
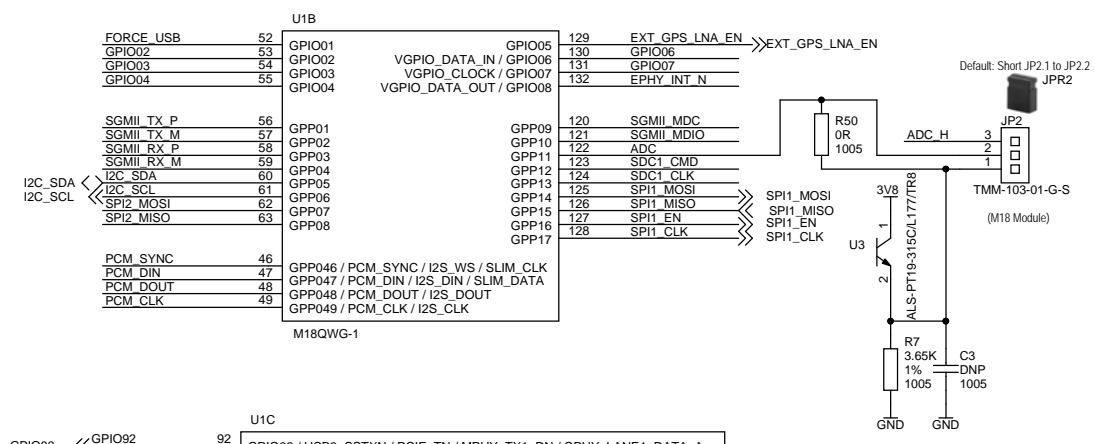
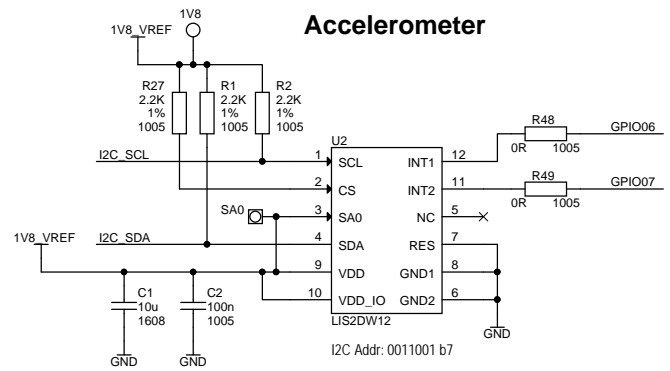
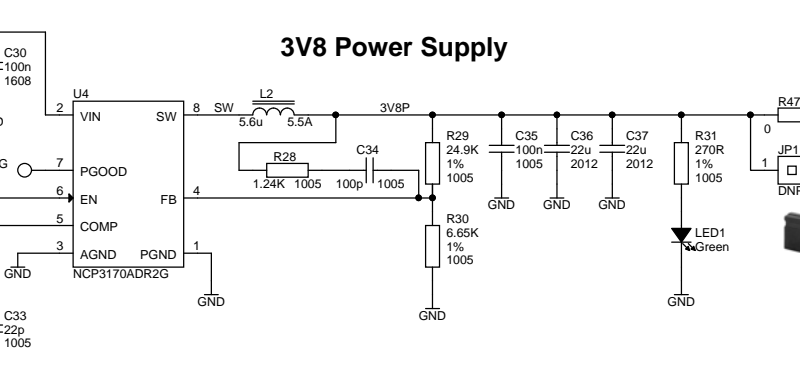
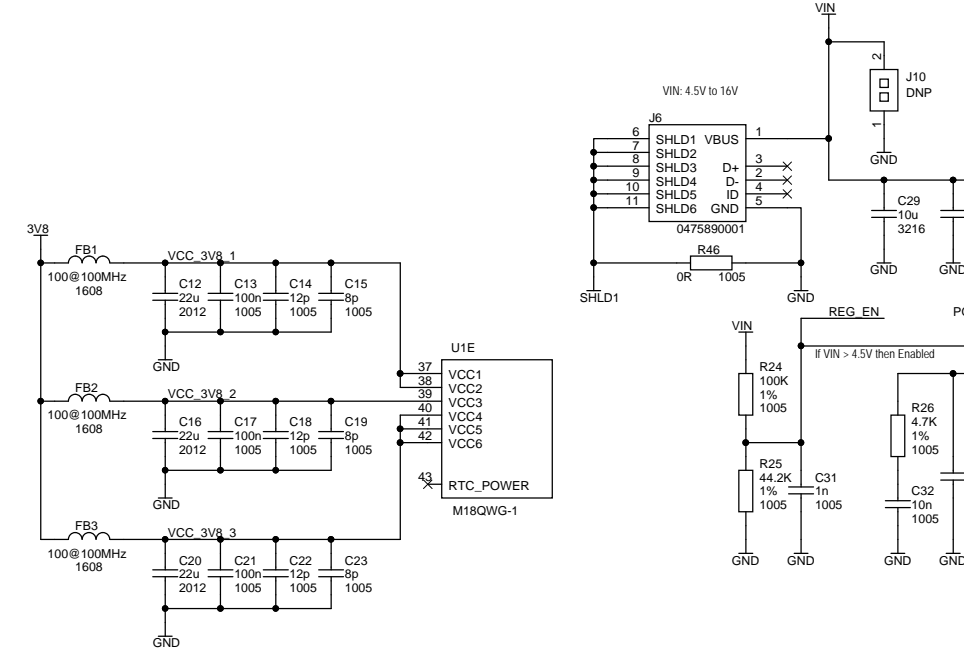
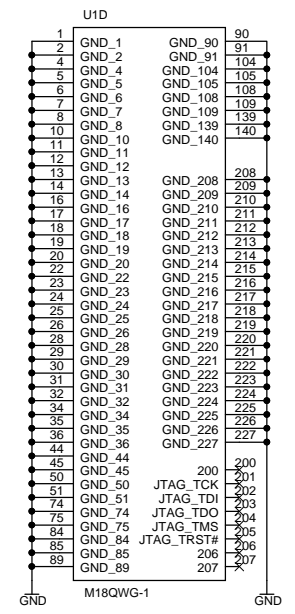
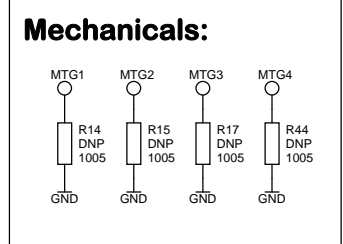
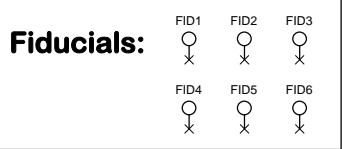


REV	DATE	ECN #	COMMENT
A	2017-02-02		INITIAL RELEASE
B	2017-05-15		UPDATED J6, R37-R39, ADDED J9, J10, R46-R50
C	2017-08-16		UPDATED C4 (DNP), C5 (1uF), R4 (33K), R5 (10K)
D	2017-09-27		UPDATE LED1 & LED2 TO EVERLIGHT



PCB: ○ ATT-M18Qxx-M1-PCB-B



AVID TECHNOLOGIES
An Amet Company

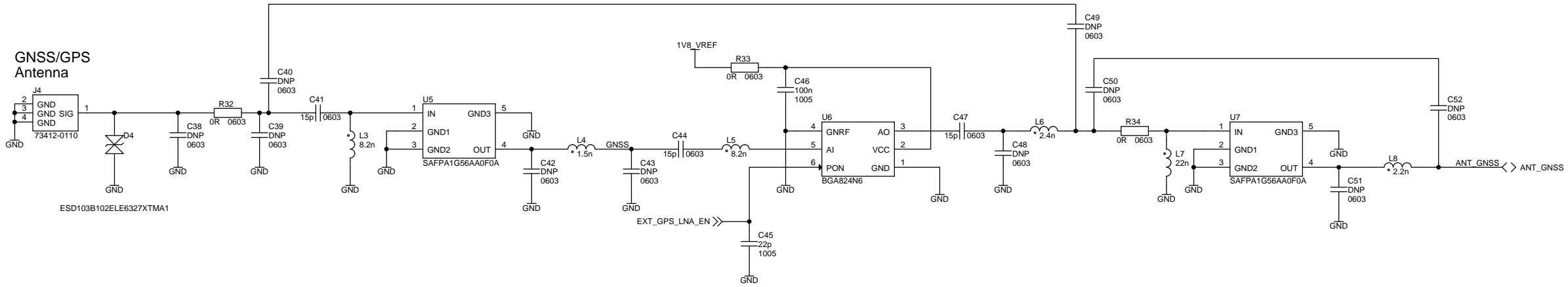
AVID Technologies
2112 Case Parkway South
Twinsburg, OH 44087
Copyright © AVID Technologies

Title
ATT-M18Qxx-M1-SCH

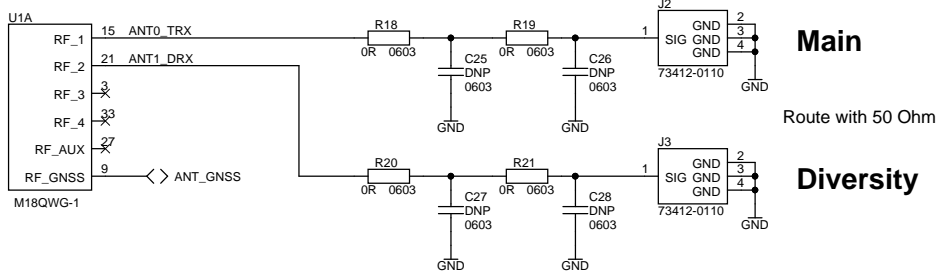
Release Number	Document Number	Rev
	ATT-M18Qxx-M1-SCH	D

Size: C Date: Wednesday, September 27, 2017 Sheet 1 of 2

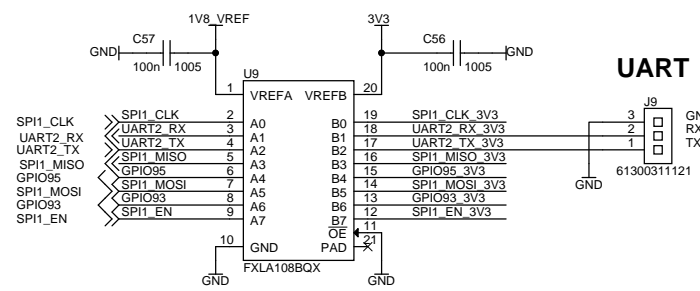
GNSS/GPS



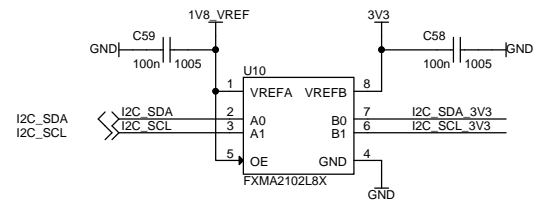
Antennas



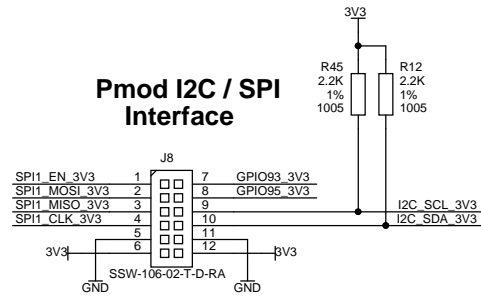
1V8 to 3V3 Level Translator



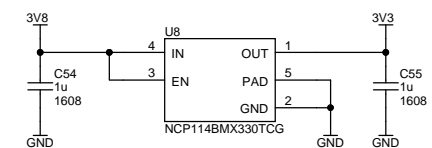
UART



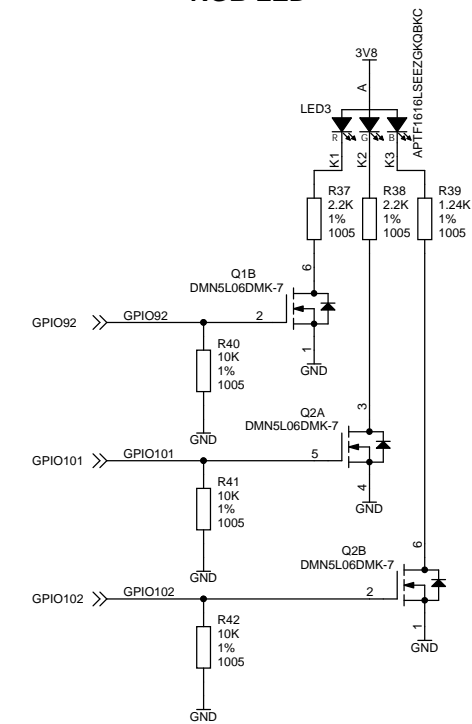
Pmod I2C / SPI Interface



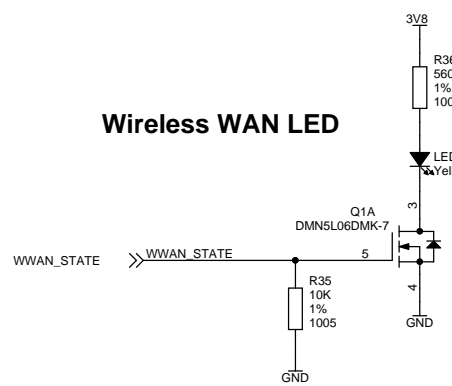
3V3 LDO




RGB LED



Wireless WAN LED



 AVID <small>AVIUM TECHNOLOGIES</small> <small>An Avnet Company</small>		AVID Technologies 2112 Case Parkway South Twinsburg, OH 44087
Title AT&T Global IoT LTE Module		
Release Number ATT-M18Qxx-M1-SCH	Document Number ATT-M18Qxx-M1-SCH	Rev D
Size: C	Date: Wednesday, September 27, 2017	Sheet 2 of 2