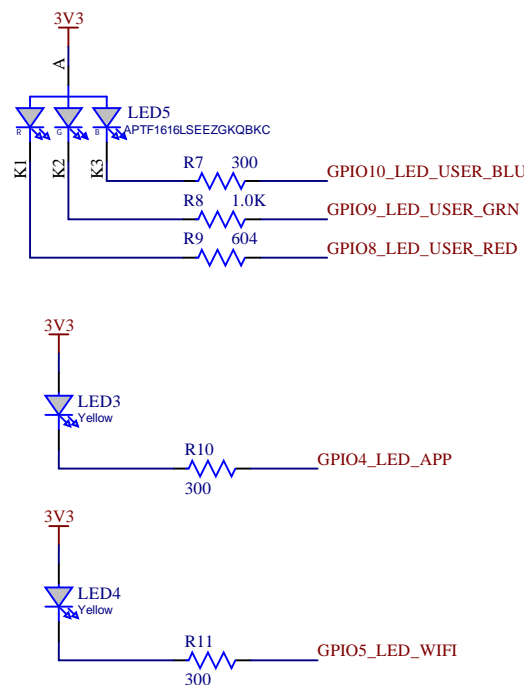
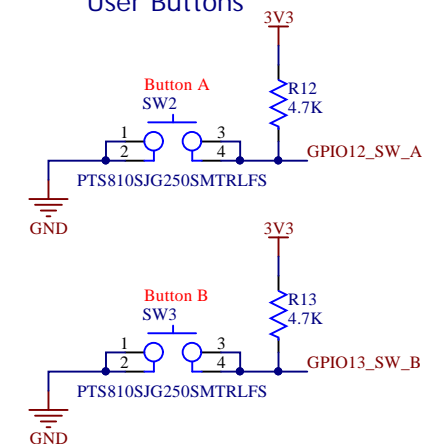


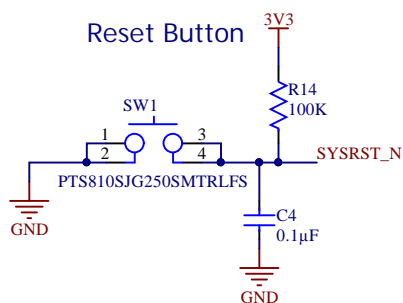
User LEDs



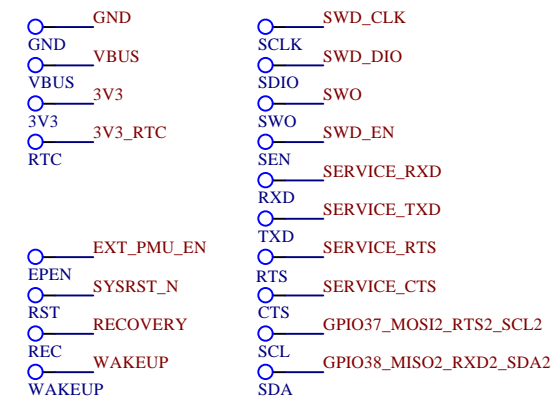
User Buttons



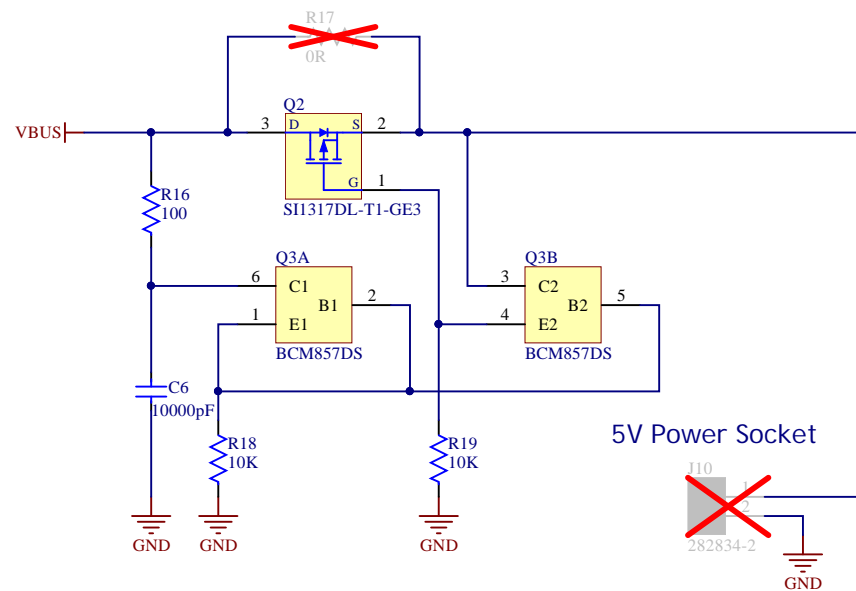
Reset Button



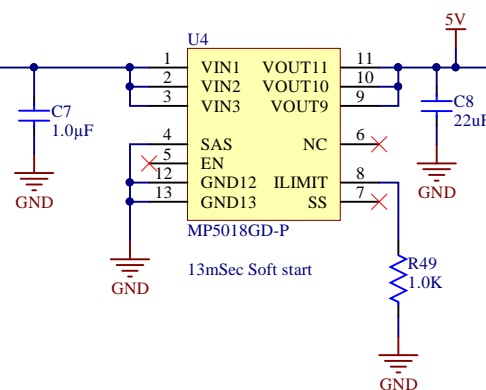
Test Points



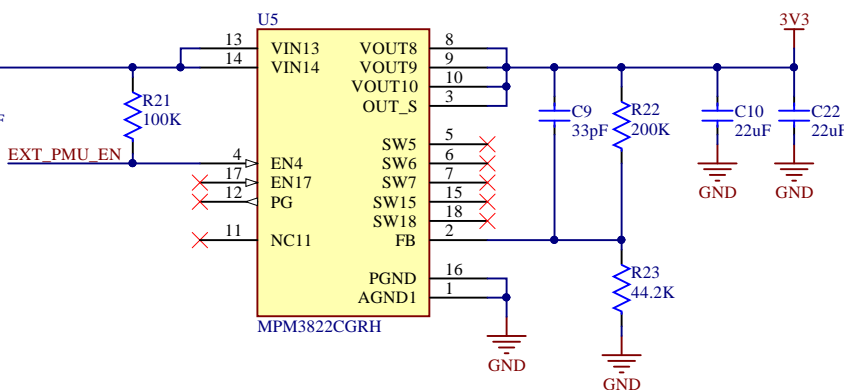
Ideal Diode



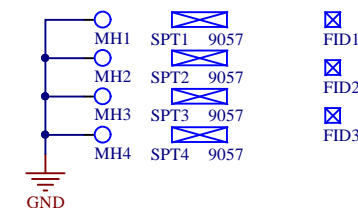
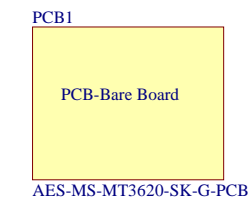
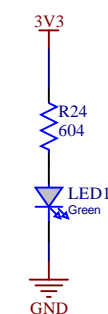
Over / Under Voltage Protection



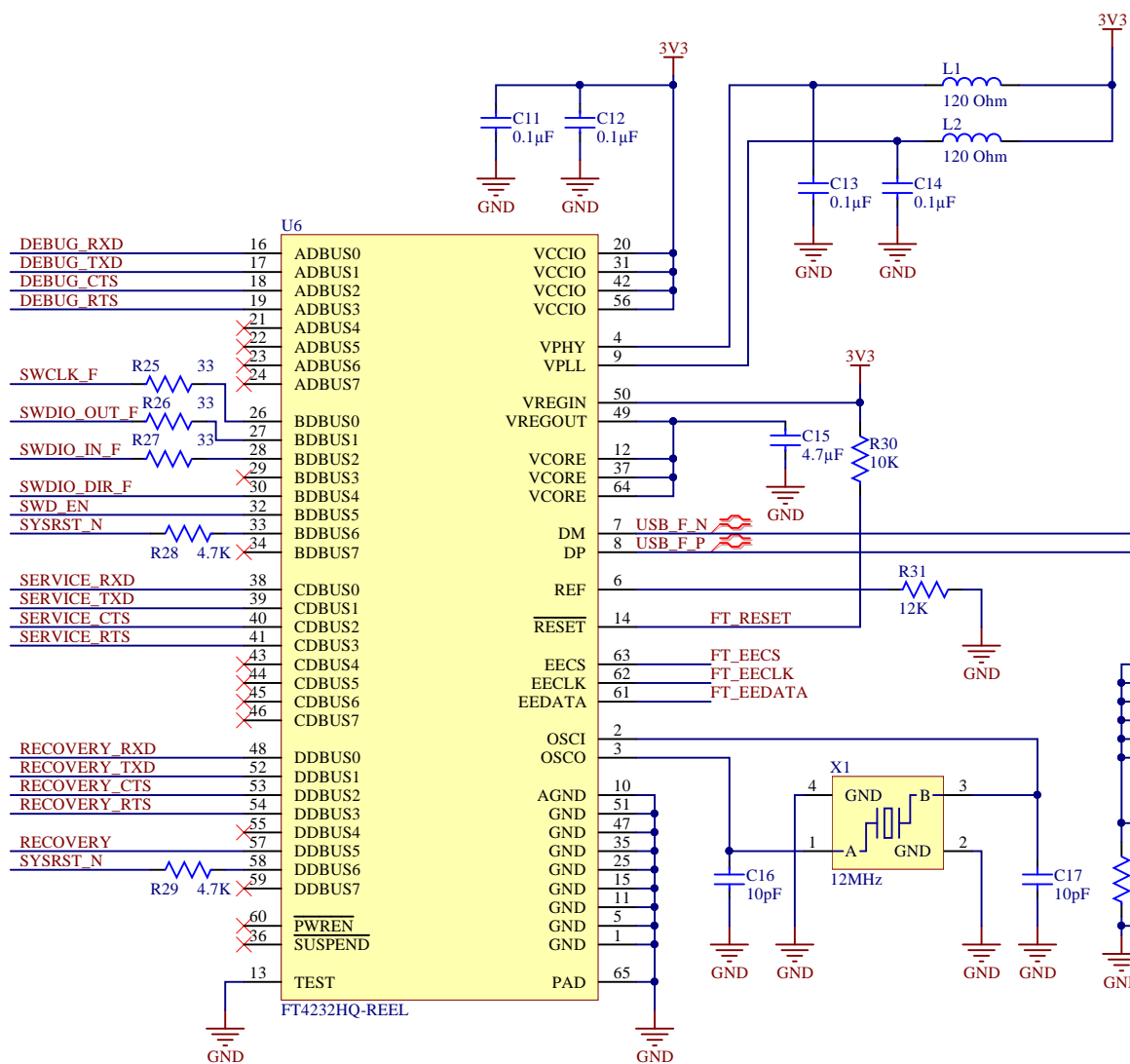
3V3 Buck Converter



3V3 Power Supply LED



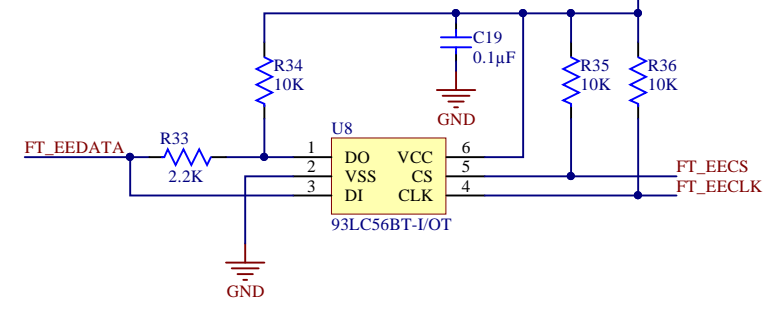
FTDI USB Interface



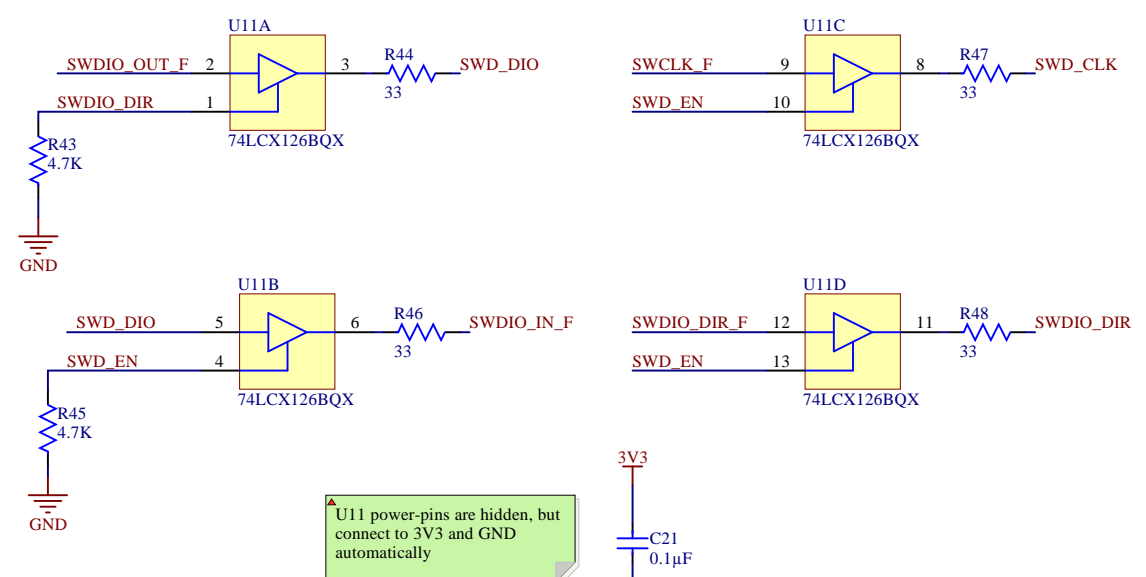
FTDI pin functions (Port C)

38	CDBUS0	TXD
39	CDBUS1	RXD
40	CDBUS2	RTS#
41	CDBUS3	CTS#
43	CDBUS4	DTR#
44	CDBUS5	DSR#
45	CDBUS6	DCD#
46	CDBUS7	RI#/TXDEN*

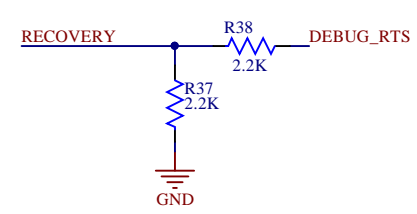
EEPROM for FTDI Chip



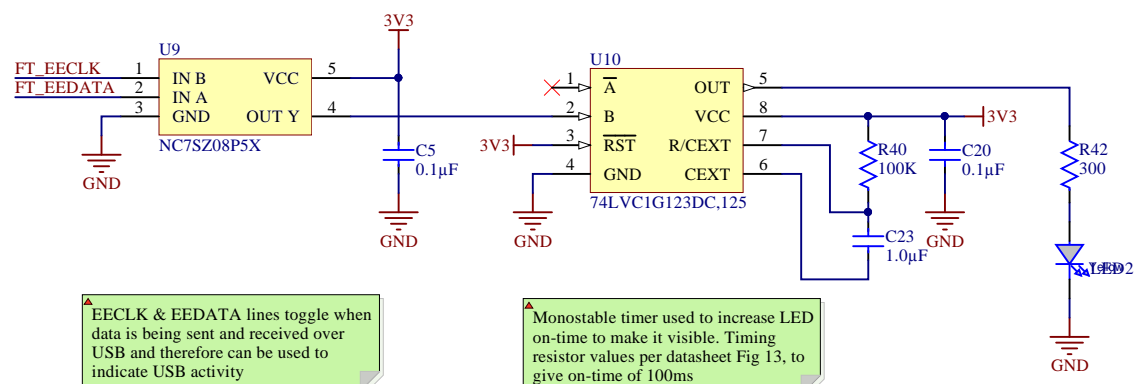
SWD_DIO Tri-state Buffer



FTDI Recovery



FTDI Activity LED



EECLK & EEDATA lines toggle when data is being sent and received over USB and therefore can be used to indicate USB activity

Monostable timer used to increase LED on-time to make it visible. Timing resistor values per datasheet Fig 13, to give on-time of 100ms

U11 power-pins are hidden, but connect to 3V3 and GND automatically