

Avnet BCM4343W IoT Starter Kit



The Avnet BCM4343W IoT Starter Kit enables designers to easily prototype cloud-connected IoT designs and then rapidly move from development to production with a pre-certified wireless SoC module.

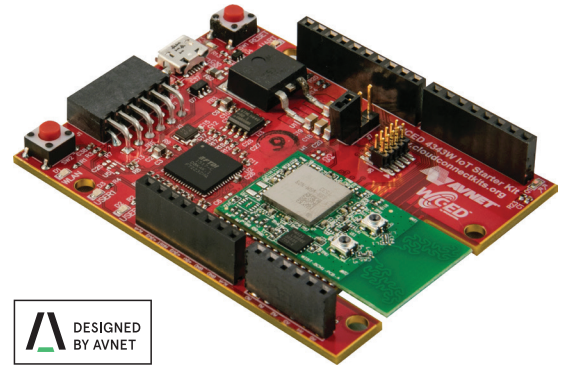
The Starter Kit features an Arduino™ form-factor baseboard and pre-certified Avnet BCM4343W SoC module. This WiFi+BLE+MCU module combines an advanced Broadcom® combo 2.4GHz 802.11 b/g/n WiFi and Bluetooth® 4.1 SoC, together with 8Mb of SPI Serial Flash and an STM32F411 ARM® Cortex™ M4 Microcontroller with 512KB Flash and 128KB SRAM. The baseboard includes access to the MCU's various peripherals via Arduino compatible headers as well as a 2x6 format peripheral connector, allowing connection to a range of expansion boards for sensors, motors, digital I/O and analog inputs.

Application development is supported by Broadcom's WICED™ Software Development Kit (SDK), which includes connection to Amazon Web Services (AWS) through an intuitive, integrated development environment. The starter kit simplifies cloud connectivity for designers in a variety of IoT market segments, including industrial automation, building automation and smart home appliances.

FEATURES

- Arduino™ form-factor baseboard
- Pre-certified Avnet BCM4343W SoC Module
 - WiFi + BLE + MCU module
 - STM32F411 ARM® Cortex™ M4 MCU
 - 512KB Flash, 128KB SRAM, 8Mb SPI Serial Flash
 - Supports 802.11 b/g/n and Bluetooth 4.1 (with an upgrade path to Bluetooth 4.2)
 - Dual fractal PCB antennas supporting antenna diversity
- Arduino compatible shield expansion connectors
 - GPIO (4)
 - Analog inputs (3)
 - Two I2C ports (1 shared)
 - SPI port
 - Two UARTs (1 shared)
 - Supports 3.3V I/O only
- 2x6 Format peripheral expansion connector
 - I2C port (shared)
- USB-based JTAG debugger/programmer and serial UART port
- Reset push button switch
- User push button switch
- Two user LEDs
- UART, JTAG and WLAN activity LEDs
- Ambient light sensor
- USB Powered (5V), onboard high capacity 3.3V regulated supply

To purchase this kit, visit www.cloudconnectkits.org



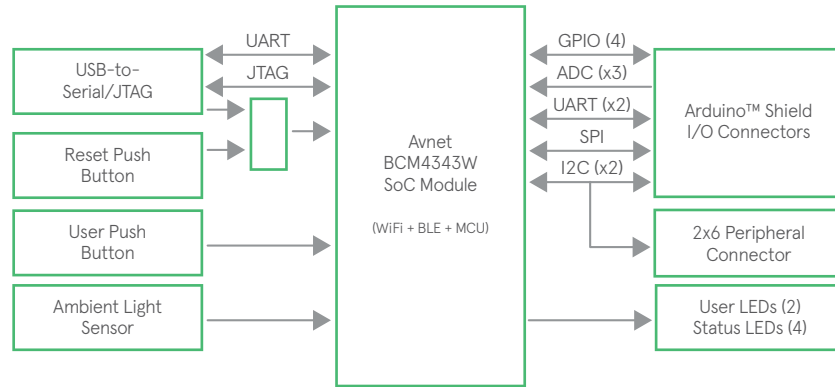
KIT INCLUDES

- Avnet BCM4343W IoT Starter Board Powered by WICED and Amazon Web Services (AWS)
- Micro USB Cable
- Quick Start Card
- Downloadable WICED SDK, Getting Started Guide, and Kit Documentation

TARGET APPLICATIONS

- Industrial Automation
- Building Automation
- Smart Home Appliances
- IoT Enabled Sensors
- WiFi/BLE Gateway

BLOCK DIAGRAM



FEATURED MANUFACTURERS



PARTS

Part Number	Description	Resale
AES-EVB-BCM4343W-G	BCM4343W IoT Starter Kit	\$49.95 USD

Countries Available for Purchase: Americas, EMEA, Asia, Japan

CONTACT INFORMATION

North America
2211 S 47th Street
Phoenix, Arizona 85034
United States of America
eval.kits@avnet.com
1-800-585-1602

Europe (EBV)
Im Technologiepark 2-8
85586 Poing
Germany
ebvchips@ebv.com
+49-8121-774-0

Europe (Avnet Silica)
Gruber Strasse 60 C
85586 Poing
Germany
info@avnet.eu
+49-8121-777-02

Japan
Yebisu Garden Place Tower, 23F
4-20-3 Ebisu, Shibuya-ku,
Tokyo 150-6023 Japan
eval-kits-jp@avnet.com
+81-(0)3-5792-8210

Asia
151 Lorong Chuan,
#06-03 New Tech Park
Singapore 556741
XilinxAPAC@avnet.com
+65-6580-6000